

# TicketFlex Ticket SAVER™

Model TFB1-TS

## Installation & Operation Instructions

*Reduce Ticket Overheads & Save Thousands!  
Make your players happy with the Automatic Round Up Feature.*

- ◆ Easy Plug –In installation
- ◆ Flexible pay out adjustments
- ◆ No need to change any game settings
- ◆ Automatic Round Up feature
- ◆ Mercy Ticket triggered by coin pulse
- ◆ No Tickets or Ticket Jam Indicator
- ◆ Ticket Dispenser Test Mode
- ◆ Ticket Meter Output
- ◆ Small size – fits everywhere

*Extremely Flexible – drives almost any ticket dispenser!*

### Operation Modes

#### **DIVIDE**

Adjust dip switches to divide tickets by 1 to 15. The board has automatic ROUND UP feature. No player will be short changed. Partial counts will be converted to a ticket.

#### **MERCY TICKET**

For a Mercy Ticket apply coin/credit pulse to the opto-isolated Mercy Ticket Input.

#### **DISPENSER TEST**

Switch the machine OFF, adjust dip switches 1 to 6 for Dispenser Test and switch the machine ON. 5 tickets will be dispensed and the PCB LED and the External Light will flash 2x at successful completion of the test. The LED and Bonus Light will stay "ON" if there is an ERROR!

#### **CLEARING ERROR**

An error will occur when the machine runs out of tickets or the ticket dispenser jams or the ticket notch opto sensor is not functioning. The PCB LED and the External Light (if connected) will stay ON. Clean the opto sensor of the ticket dispenser with a paint brush, remove jams, reload tickets. The unit will automatically reset and resume normal operation.

### LED or External Light

On power up or after clearing ERROR the number of flashes indicates selected mode.

Number of flashes	MODE
1	DISPENSER TEST
2	DIVIDER

### Dip Switch

Adjust dip switches while the machine is switched off!

ADJUST TICKETS

Divide by	Sw1	Sw2	Sw3	Sw4
1	OFF	ON	ON	ON
2	ON	OFF	ON	ON
3	OFF	OFF	ON	ON
4	ON	ON	OFF	ON
5	OFF	ON	OFF	ON
6	ON	OFF	OFF	ON
7	OFF	OFF	OFF	ON
8	ON	ON	ON	OFF
9	OFF	ON	ON	OFF
10	ON	OFF	ON	OFF
11	OFF	OFF	ON	OFF
12	ON	ON	OFF	OFF
13	OFF	ON	OFF	OFF
14	ON	OFF	OFF	OFF
15	OFF	OFF	OFF	OFF

SET MODE

<b>Must Stay OFF</b>	<b>Sw5</b>
----------------------	------------

<b>Rounding Up</b>	<b>Sw6</b>
Quick *	OFF
Slow **	ON

\* QUICK for "quick drop" games or games, which dispense all tickets at the end of the game

\*\* SLOW for games, which dispense tickets during the game

<b>Dispenser Test</b>					
Sw1	Sw2	Sw3	Sw4	Sw5	Sw6
ON	ON	ON	ON	OFF	OFF

## Setting the Input and Output to suit the ticket dispenser.

The Ticketflex Ticket SAVER is supplied preset for the Deltronic 1275, Entropy TD963CR or compatible Ticket dispenser.  
**Dip Sw 7 = ON, Dip Sw 8 = OFF, JUMPER = DOWN**

The input and output can be set independently to suit other styles of Ticket Dispensers and various machines.

### Dip Switch

Input	Sw7
Pulse Operation	OFF
Continuous Operation	ON

Output	Sw8
Pulse Operation	ON
Continuous Operation	OFF

#### Continuous Input Operation (Deltronic 1275 compatible)

The ticket drive input (pin 3 of the 8 Way JST connector) must be driven "high" to initiate ticket dispensing. The Ticketflex Maximizer will output ticket notch pulses for the host game (pin 1 of the 8 Way JST connector).

#### Pulse Input Operation (Deltronic DL 4 compatible)

In the Pulse Input Operation the ticket drive input must be pulsed "low" to initiate ticket dispensing. The notch output is not used.

TFB1-TS DOC 01

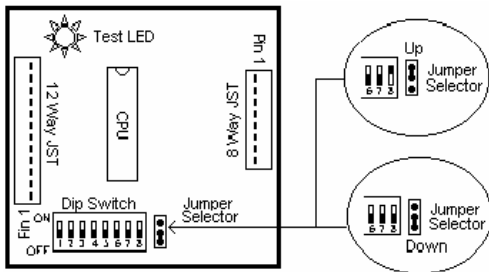
#### Continuous Output Operation (Deltronic 1275 compatible)

The ticket drive output (pin 2 of the 8 Way JST connector) is driven "high" to initiate ticket dispensing. The ticket notch feedback from the dispenser is required. The Jumper Selector must be "Down".

#### Pulse Output Operation (Deltronic DL 4 compatible)

The ticket drive output is pulsed "low" to initiate ticket dispensing (Jumper Selector must be "UP"). The ticket notch feedback is not utilized. The ticket dispenser will dispense one ticket for each pulse received.

### Jumper Selector (Inverts Drive Output Voltage Level)



"UP" for active LOW Open Collector Ticket Drive Output (Used with DL4 Ticket Dispenser).

'DOWN' for active HIGH Ticket Drive Output. (Used with DL1275 Ticket Dispenser).

### Important Notes

- To minimize the likelihood of damage by electrostatic discharge it is recommended that the ticket dispenser body is connected to the protection earth.
- The rating of the 12V Globe for the external light is 10W Max.
- The standard harness supplied with the Ticketflex Ticket SAVER provides all the required connections for the Divider mode. All other connections (e.g. Ticket Meter, Mercy Ticket, External Light) are optional.

### The Standard Harness Supplied with the Ticket SAVER

(For connection to Deltronic 1275 or Entropy TD-963CR Ticket Dispenser).

4 WAY UTILUX (MALE) CONNECTOR

PIN	Description	Wire
1	Notch Input	Blue
2	GND	Black
3	Tick. Drive Output	White
4	+12V	Orange

4 WAY UTILUX (FEMALE) CONNECTOR

PIN	Description	Wire
1	Notch Output	Blue
2	GND	Black
3	Game Drive Input	White
4	+12V	Orange

12 WAY JST CONNECTOR (PCB)

PIN	Description
1	- Mercy Ticket Input
2	
3	GND (Out)
4	+ Mercy Ticket +5V (max 30V)
5	+12 V (Out)
6	+12 V (Out)
7	Lamp Output
8	Lamp Output
9	Ticket Meter Output
10	- Opto Ticket Drive
11	+Opto Ticket Dr 5-30V
12	+Opto Ticket Dr 14-60V

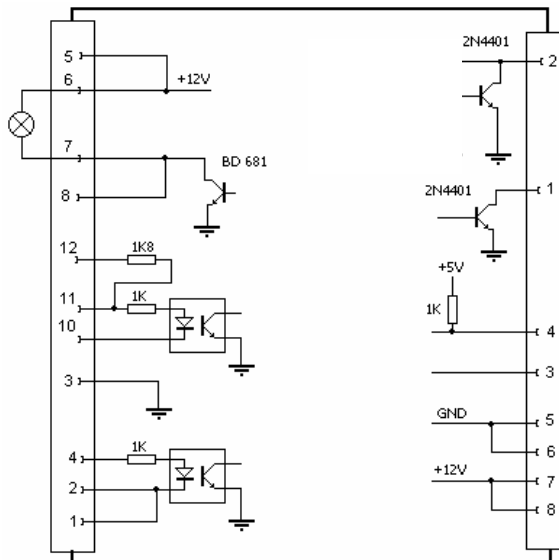
### Ticket Meter

Connect Ticket Meter between pin 5 and 9 of JST 12 connector.

### External Light

Connect External Light between pin 6 and 7 of JST 12 connector.

### Ticketflex PCB Connector Pinout



8 WAY JST CONNECTOR (PCB)

PIN	Description
1	Notch Output
2	Tick. Drive Output
3	Tick. Drive Input
4	Tick. Notch Input
5	GND Out
6	GND In
7	+12V Out
8	+12V In (9 to14V)

For On-Line Help and application notes visit:  
[www.ticketflex.com](http://www.ticketflex.com)

**TicketFLEX™**  
 Innovation Search