

TicketFLEX™

Universal Hopper Controller!

Model TFBHOP

Installation & Operation Instructions

- ? Flexible Dip Switch Settings to control the amount of the Coin/Token dispensed.
- ? Choice of a direct or an opto isolated input.
- ? Open Collector (NPN) output.
- ? Build in Hopper Test
- ? Coin/Token Meter Output
- ? An optional Time Bonus Feature

CAN BE SUPPLIED WITH CUSTOM DIP SWITCH SETTINGS ON THE REQUEST

Operation Modes

MULTIPLY

Adjust the dip switch to dispense 1 to 15 coins/tokens for each pulse applied to the Coin/Token input.

DIVIDE

Adjust dip switch to dispense 1 coin/token for 1 to 15 pulses applied to the Coin/Token input.

TIMED BONUS

This mode works in combination with the "Multiply" or "Divide" mode. If enabled, the Bonus Light will be flashing approx. every 5 minutes for duration of 1 minute. While the light is flashing the players will receive double amount of the coins/tokens. This mode can be enabled by Dip Sw. 5 or via an external switch connected to the opto-isolated input of the JST12 connector.

HOPPER TEST

Switch the machine OFF, adjust dip switches 1 to 6 for the Hopper Test and switch the machine ON. 5 Coins/Tokens will be dispensed and the PCB LED and the Bonus Light (if connected) will flash 2x at the completion of the test.

Hopper Test					
Sw1	Sw2	Sw3	Sw4	Sw5	Sw6
ON	ON	ON	ON	OFF	OFF

LED or External Light

On power up the number of flashes indicate selected mode.

Number of flashes	MODE
1	HOPPER TEST
2	DIVIDER
3	MULTIPLIER
4	DIVIDE WITH BONUS
5	MULTIPLY WITH BONUS

Dip Switch

Adjust dip switches while the machine is switched off!

ADJUST

Multiply/Divide by	Sw1	Sw2	Sw3	Sw4
1	OFF	ON	ON	ON
2	ON	OFF	ON	ON
3	OFF	OFF	ON	ON
4	ON	ON	OFF	ON
5	OFF	ON	OFF	ON
6	ON	OFF	OFF	ON
7	OFF	OFF	OFF	ON
8	ON	ON	ON	OFF
9	OFF	ON	ON	OFF
10	ON	OFF	ON	OFF
11	OFF	OFF	ON	OFF
12	ON	ON	OFF	OFF
13	OFF	ON	OFF	OFF
14	ON	OFF	OFF	OFF
15	OFF	OFF	OFF	OFF

EXAMPLE 1:

To dispense 10 coins/ tokens for 1 pulse applied to the Coin/Token input, DIP SW 6 = ON (Multiply), SW1 = ON, SW2 = OFF, SW3 = ON, SW4 = OFF.

EXAMPLE 2:

To dispense 1 coin/ token for 5 pulses applied to the Coin/Token input, DIP SW6 = OFF (Divide), SW1 = OFF, SW2 = ON, SW3 = OFF, SW4 = ON

SET MODE

Timed Bonus	Sw5
Timed Bonus OFF	OFF
Timed Bonus ON	ON

Divide/Multiply	Sw6
Divide	OFF
Multiply	ON



On-Line Technical Support at: www.ticketflex.com
Email: info@ticketflex.com

Coin/Token Input

Apply active LOW pulse to the 8 way JST Connector PIN 3 from a switch connected to GND or from a NPN open collector output or from a 5V logic circuit.
OR use the Opto-Isolated Input of the 12 way JST Connector pins 10 & 11 or 10 & 12.

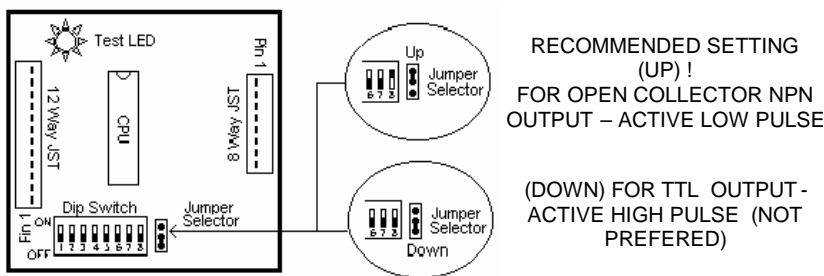
Coin/Token Output

The Coin/Token Output (PIN 2 of the JST8 Connector) can be directly connected to the PIN 12 of the 12 way connector of the MKII Universal Hopper from Coin Controls (now Money Controls) the Jumper Selector must be set "UP".

Dip Switch 7 and 8

DIP SWITCH 7 MUST STAY OFF, DIP SWITCH 8 MUST STAY ON, JUMPER SELECTOR = UP FOR AN OPEN COLLECTOR NPN OUTPUT (RECOMMENDED).

Jumper Selector (Inverts Drive Output Voltage Level)



Important Notes

- ? *The rating of the 12V Globe for the external Bonus Light is 10W Max.*
- ? *The standard harness supplied with the Ticketflex Hopper Controller board provides all the required connections for the Multiplier or Divider mode. All other connections (e.g. Coin Meter & External Light) are optional.*

The Standard Harness Supplied with the board.

4 WAY UTILUX (MALE) CONNECTOR
Connected to the hopper.

PIN	Description	Wire
1	Not Used	Blue
2	GND	Black
3	Coin/Token Output	White
4	Not Used	Orange

4 WAY UTILUX (FEMALE) CONNECTOR
Connected to the machine.

PIN	Description	Wire
1	Not Used	Blue
2	GND	Black
3	Coin/Token Input	White
4	+12V	Orange

12 WAY JST CONNECTOR (PCB)

PIN	Description
1	- Enable Timed Bonus
2	- Enable Timed Bonus
3	GND (Out)
4	+ Timed Bonus 5-30V
5	+12 V (Out)
6	+12 V (Out)
7	Lamp Output
8	Lamp Output
9	Coin Meter Output
10	- Opto Coin/Tkn In
11	+ Opto Coin/Tkn In 5-30V
12	+ Opto Coin/Tkn In 14-60V

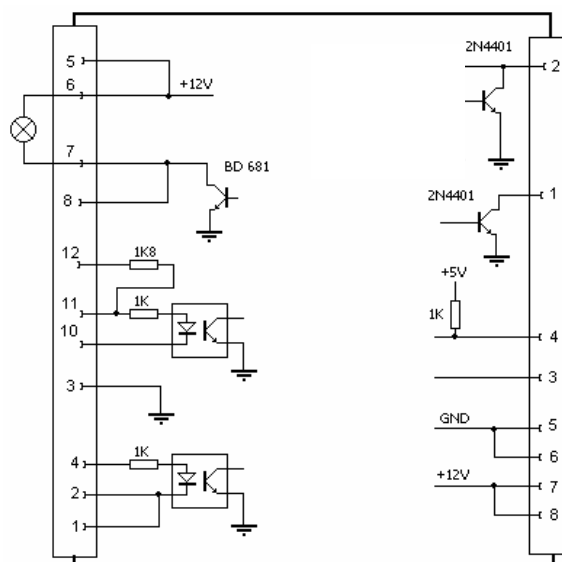
Coin Meter

Connect Coin Meter between pin 5 and 9 of JST 12 connector.

Bonus Light

Connect Bonus Light between pin 6 and 7 of JST 12 connector.

Ticketflex PCB Connector Pinout



8 WAY JST CONNECTOR (PCB)

PIN	Description
1	Not Used
2	Coin/Token Output
3	Coin/Token Input
4	Not Used
5	GND
6	GND
7	+12V (9 to14V)
8	+12V (9 to14V)

For On-Line Help and application notes visit:
www.ticketflex.com